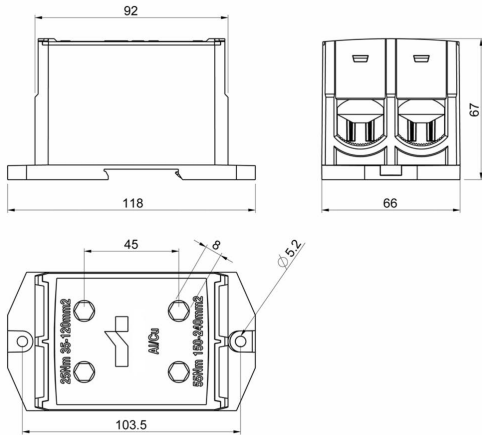


Enclosed Power Terminals AL/CU

Product: GKL2x240



- IEC 61238-1 Class A
- Available in grey, blue (N) and yellow/green (PE)
- Touchproof, IP20
- Housing and cover in polyamide
- Terminal material tin-coated, greased aluminium
- Environmentally friendly materials



| Product | GKL2x240 |
|----------------------|---|
| Al mm ² | 35 - 240 |
| Color | Grey, Blue, Green/Yellow |
| Cu mm ² | 35 - 240 |
| In (Al) (A) | 630 |
| In (Cu) (A) | 850 |
| Mounting | Screw / DIN |
| Number of Conductors | 4 |
| Torque Al/Cu (Nm) | 25Nm (35 - 120 mm ²) 55Nm (150 - 240 mm ²) |
| Un (V) | 1000 |
| Weight (lb/kg) | 1.151 / 0.522 |



| | | |
|--|--------------|---|
| Dokument/document Försäkran om överensstämmelse/ Declaration of conformity | | Utgåva datum/edition date 2018-08-22 |
| Avdelning/department Produkt/Product | | |
| Ansvarig/prepared Robert Nydén | Version 5 | Sida/page 1 av/of 1 |

Manufacturer/Tillverkare: GARO AB
Box 203
S-335 25 GNOSJÖ
Sweden

Telephone: +46 (0)370 33 28 00
Internet: www.garo.se

Agent established within EC/Ombud etablerad inom EG Telephone:
Internet:

Agent of equipment/Materielslag: Screw terminal/Skruvplint

Trade Mark/Varumärke: GARO

Type Designation/Typbeteckning: NJP, PE 7G, NP7 and/och GKL

**We hereby declare that our product fulfils the requirements of following EC directives/
Vi intygar härmed att vår produkt uppfyller krav enligt följande EU direktiv:**

- The Low Voltage Directive (LVD) 2014/35/EU / Lågspänningsdirektivet (LVD) 2014/35/EU.**
- Electromagnetic compatibility (EMC) 2014/30/EU / Elektromagnetisk kompatibilitet (EMC) 2014/30/EU.**
- Radio Equipment Directive 2014/53/EU (RED) 2014/30/EU / Radiodirektivet (RED) 2014/53/EU.**
- RoHS Directive (RoHS) 2011/65/EU / RoHS direktivet (RoHS) 2011/65/EU.**
- No electromagnetic compatibility (EMC 2014/30/EU) immunity or emission tests are required on the assembly / Produkten innehåller inte elektroniska apparater som påverkas enligt förbehållen enligt direktivet (EMC) 2014/30/EU.**

**The following harmonised standards (latest edition) or technical specifications which comply with good engineering practice in safety matters in force within the EC have been used in the design:/
Följande harmoniserade standarder (senaste utgåva) eller tekniska specifikationer som uppfyller god säkerhetsteknik praxis inom EG har använts i konstruktionen: EN 60998-1, EN 60998-2-1 and/och EN 60998-2-2**

- The equipment confirms completely with the above stated harmonised standards or technical specifications./
Materielen överensstämmer helt med ovan angivna harmoniserade standarder eller tekniska specifikationer.**

Or/eller

- The equipment confirms only partially with the above stated harmonised standards or technical specifications but complies with good practice in safety matters in force within the EC./
Materielen överensstämmer endast delvis med ovan angivna harmoniserade standarder eller tekniska specifikationer, men uppfyller god säkerhetsteknisk praxis inom EG.**

We have product surveillance according to CENELEC's harmonised requirements, documents CCA-201.

GARO AB
Company/Företag

2018-08-22
Date/Datum


Sign/Underskrift

Product Manager/Produktchef
Position/Befattning

Robert Nydén
Sign in printed letters/Namnförtydligande